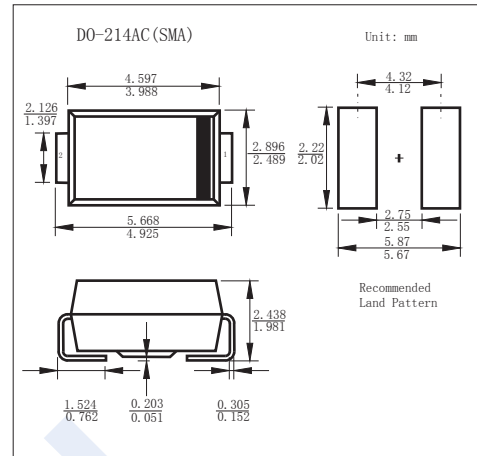


Schottky Diodes

RB080L-30

■ Features

- Small power mold type.
- High reliability
- Low V_F



■ Absolute Maximum Ratings $T_a = 25^\circ\text{C}$

Parameter	Symbol	Rating	Unit
Reverse Voltage	V_{RM}	30	V
Reverse voltage (DC)	V_R	30	
Average rectified forward current	I_O	5	A
Forward current surge peak (60Hz · 1cyc)	I_{FSM}	70	
Junction Temperature	T_J	150	$^\circ\text{C}$
Storage Temperature range	T_{stg}	-40 to 150	

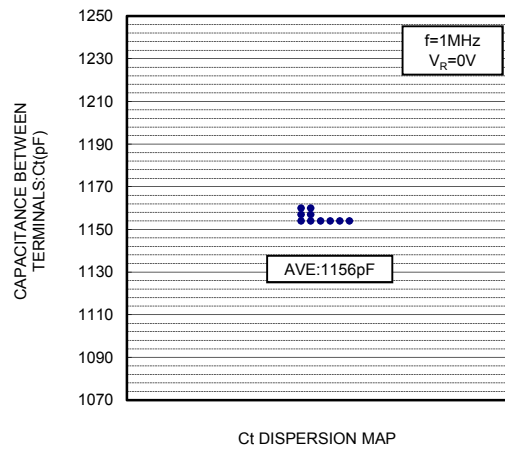
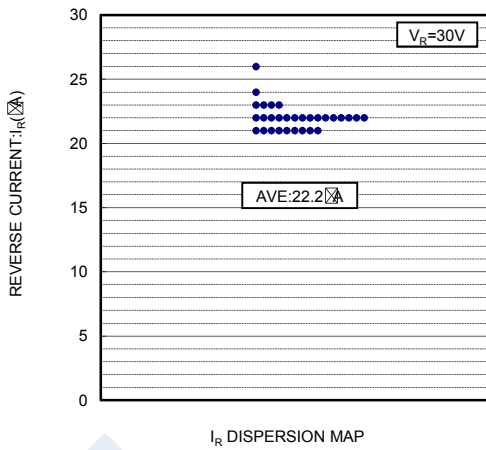
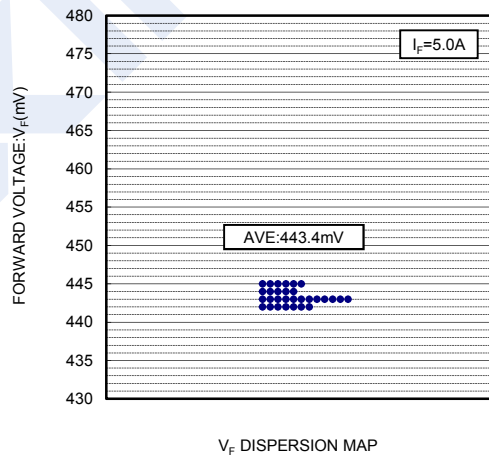
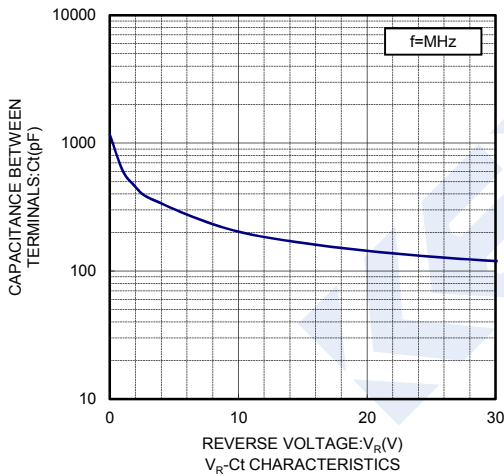
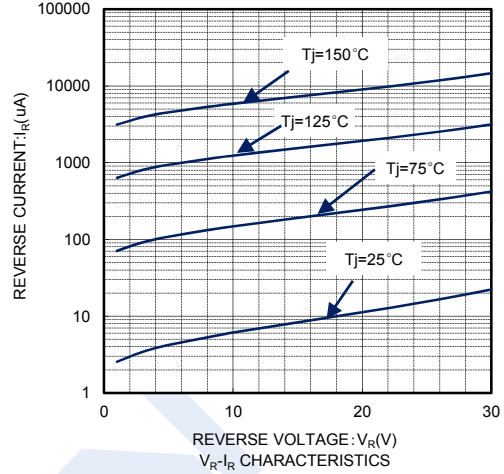
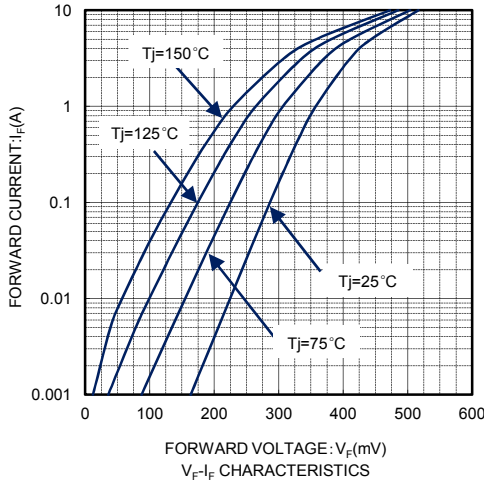
■ Electrical Characteristics $T_a = 25^\circ\text{C}$

Parameter	Symbol	Test Conditions	Min	Typ	Max	Unit
Reverse breakdown voltage	V_R	$I_R = 100 \mu\text{A}$	30			V
Forward voltage	V_F	$I_F = 5 \text{ A}$			0.51	
Reverse voltage leakage current	I_R	$V_R = 30 \text{ V}$			150	μA

Schottky Diodes

RB080L-30

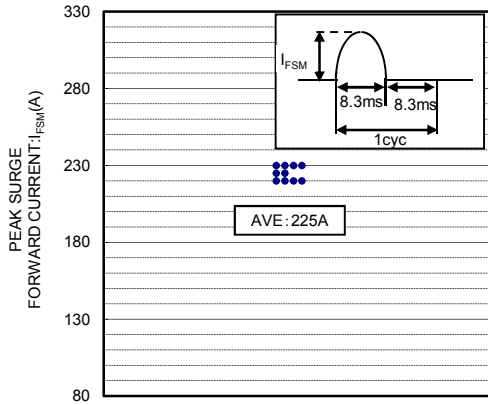
Typical Characteristics



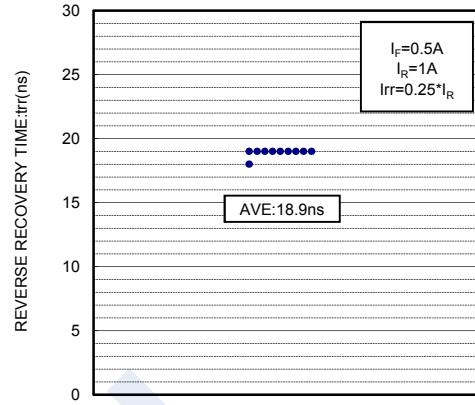
Schottky Diodes

RB080L-30

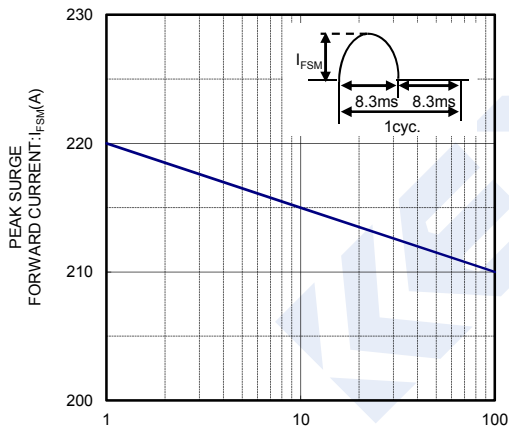
Typical Characteristics



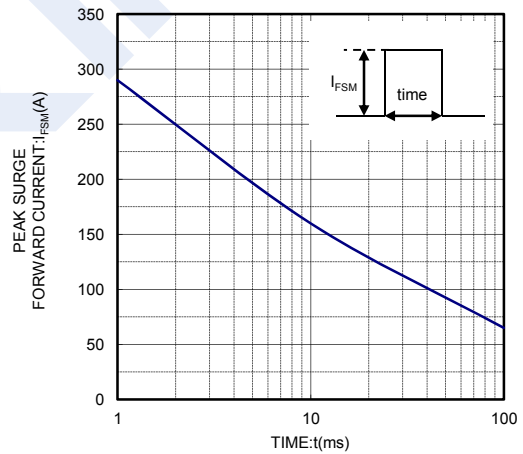
I_{FSM} DISPERSION MAP



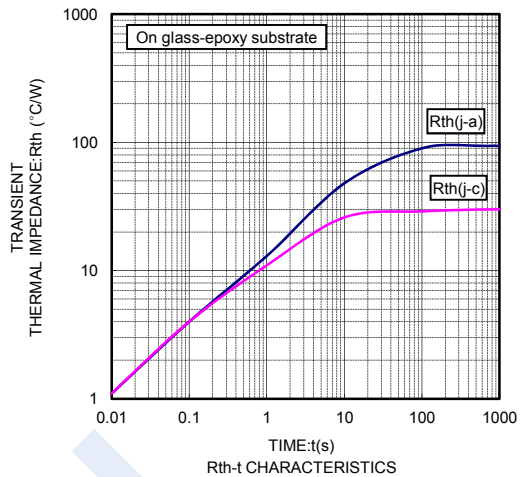
t_{rr} DISPERSION MAP



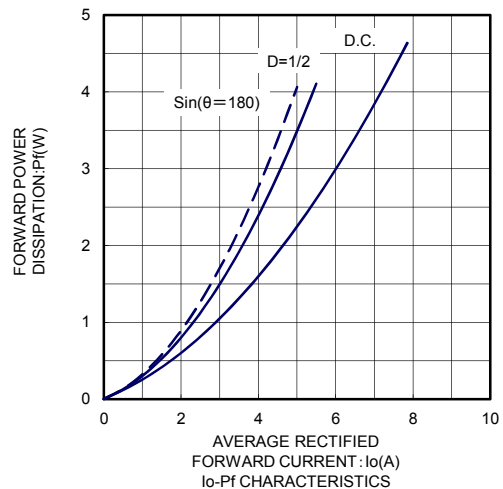
I_{FSM} -CYCLE CHARACTERISTICS



I_{FSM} - t CHARACTERISTICS



R_{th} - t CHARACTERISTICS



AVERAGE RECTIFIED FORWARD CURRENT : I_o (A)
 I_o -Pf CHARACTERISTICS

Schottky Diodes RB080L-30

Typical Characteristics

