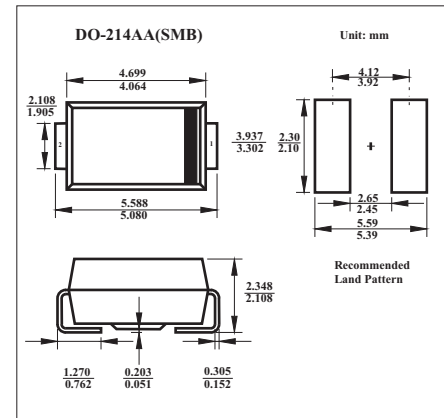


## SURFACE MOUNT TRANSIENT VOLTAGE SUPPRESSOR

## P6SMBJ5.0A

## ■ Features

- For surface mounted applications in order to optimize board space.
- Low profile package
- Built-in strain relief
- Glass passivated junction
- Excellent clamping capability
- Low inductance

■ Absolute Maximum Ratings  $T_a = 25^\circ\text{C}$ 

Parameter	Symbol	Ratings	Units
Peak Power Dissipation at $T_a=25^\circ\text{C}$ , $T_P=1\text{ms}$ (Note 1,2)	PPPM	Minimum 600	W
Peak Forward Surge Current (Note 2,3)	IFSM	100	A
Peak Pulse Current Current on 10/1000 $\mu\text{s}$ waveform (Note 1)	IPPM	See Table	A
Operating and Storage Temperature Range	$T_j, T_{STG}$	-55 to +150	$^\circ\text{C}$

■ Electrical Characteristics  $T_a = 25^\circ\text{C}$ 

Part Number	Reverse Stand-off Voltage	Breakdown Voltage		Test Current	Reverse Leakage	Max. Clamp Voltage	Peak Pulse Current
	VRWM	VBR @ IT		IT	IR @ VRWM	VC @ IPP	IPP
		Min.	Max.				
P6SMBJ5.0A	V	V	V	mA	$\mu\text{A}$	V	A
	5.0	6.40	7.25	10	800	9.2	65.2

## NOTES:

- 1.Non-repetitive current pulse, per Fig. 3 and derated above  $T_a=25^\circ\text{C}$  per
- 2.Mounted on 5.0mm<sup>2</sup> (.013mm thick) land areas.
- 3.Measured on 8.3ms , single half sine-wave or equivalent square wave , duty cycle= 4 pulses per minutes maximum.

## ■ Marking

Marking	KE
---------	----

# P6SMBJ5.0A

## Typical Characteristics



Figure 1, Peak Pulse Power Rating Curve



Figure 2, Derating Curve

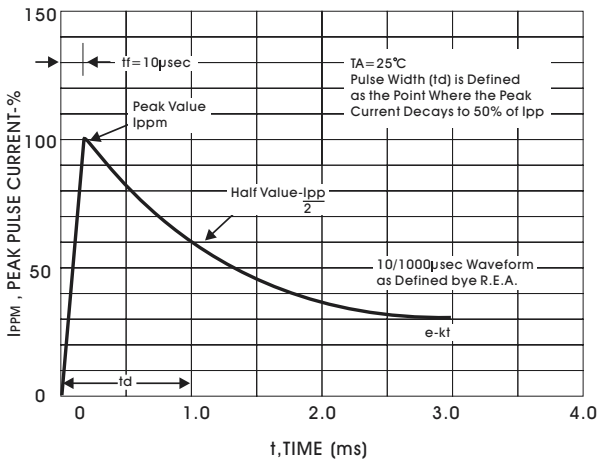


Figure 3, Pulse Waveform

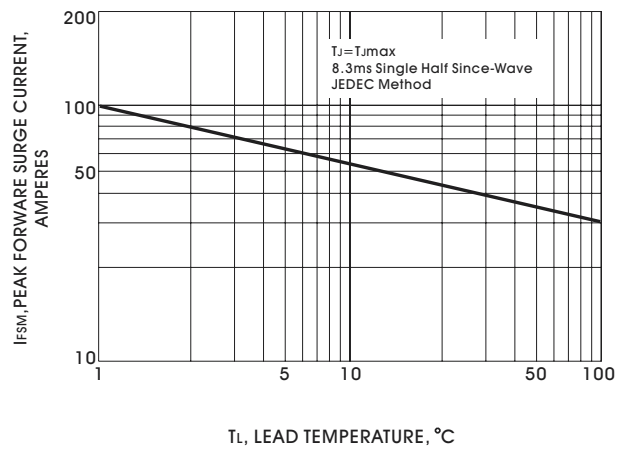


Figure 4, Maximum Non-Repetitive Peak Forward Surge Current



Figure 5, Typical Capacitance