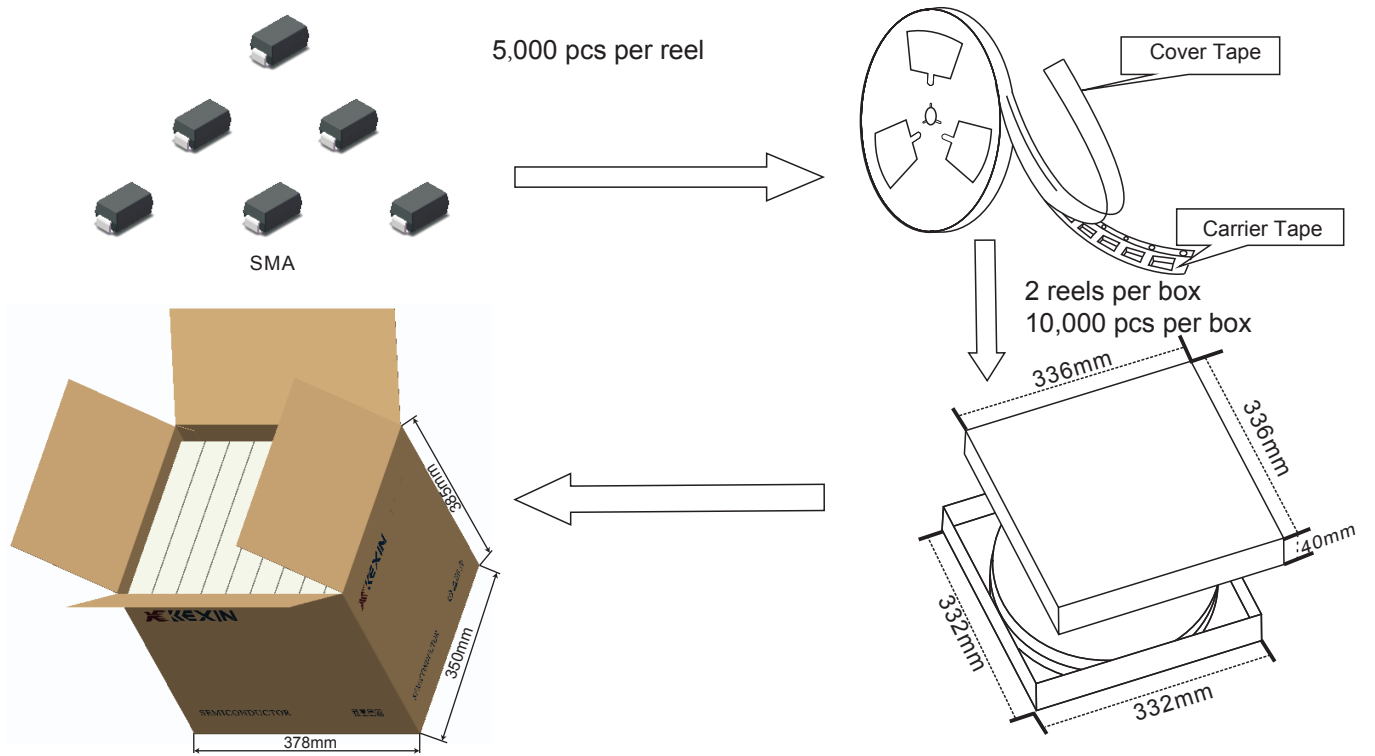
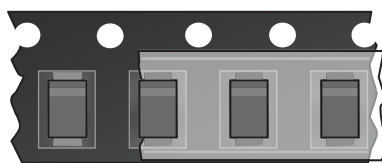
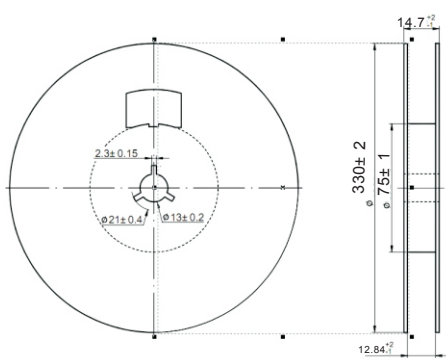


SMA Tape and Reel Data

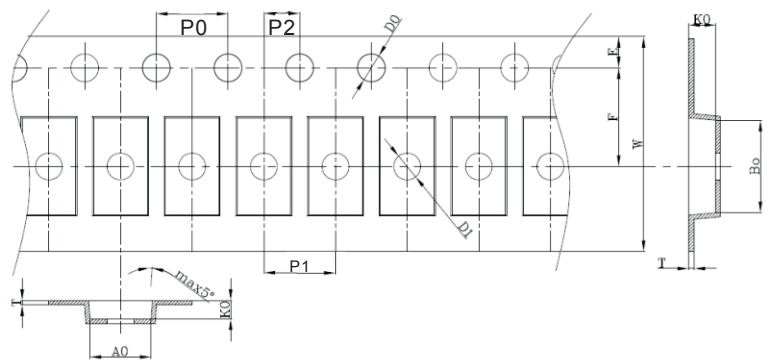
1. SMA Packing Configuration (Dimension in mm):



2. Tape and reel data (Dimension in mm):



SMA Unit Orientation



SMA					
A0	B0	K0	P0	P1	P2
2.70± 0.1	5.33± 0.1	2.35± 0.1	4.00± 0.1	4.00± 0.1	2.00± 0.1
T	E	F	D0	D1	W
0.2± 0.03	1.75± 0.1	5.5± 0.05	1.55± 0.05	1.55± 0.05	12.0± 0.3